

# Linear Actuators

ML6420A / ML7420A	Electric Linear Actuator	4
ML6425 A,B / ML7425A,B	Electric Linear Actuator	5
ML6421A,B / ML7421A,B	Electric Linear Actuator	6
MP953 B,D	Pneumatic Actuator	7
MP953 A,C	Pneumatic Damper Actuator	8
MP904 A,B,C,D	Pneumatic Damper Actuator	9

# Linear Valves

V5011R/S	2-Way Large Linear Valve	11
V5049A/B	2-Way Large Linear Valve	12
V5095A	2-Way Large Linear Valve	13
V5328A	2-Way Large Linear Valve	14
V5016A / V5025A	2-Way Large Linear Valve	15
V5013R/E	3-Way Large Linear Valve	16
V5015A, V5329A/C	3-Way Large Linear Valve	17
V5050A/B	3-Way Large Linear Valve	18
V58...2A, V58...3A/C	2/3-Way Small Linear Valves	19
V5825B	2-Way Small Linear Valve	20
V5872B	2-Way Small Linear Valve	21
	Accessories	22

# Rotary Valves & Actuators

M6061A,L	Electric Rotary Actuator	24
DR, DRK, ZR, ZRK	Rotary Valve Linkage	25
DR / ZR	3/4-Way Rotary Valves	26
V5433A,G / V5442A,G	3-Way Compact Rotary Valve	27
DRU / HE	3-Way Rotary Valve	28
V5421B	Butterfly Valves	29
V5422L	Butterfly Valves	29

# Direct Coupled Actuators

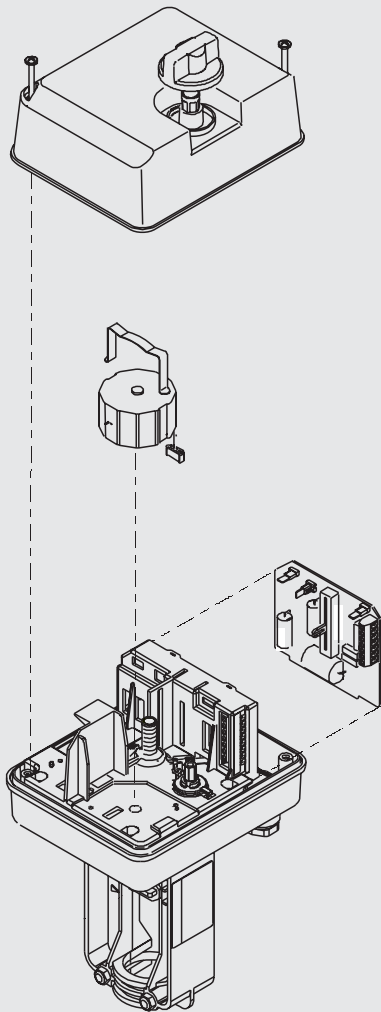
Damper Actuators	31
------------------	----

# Wall Modules

Sets for T7460/T7560/T7270	33
----------------------------	----

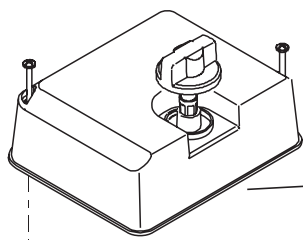
## Linear Actuators

Electric Linear Actuators  
Pneumatic Actuators  
Pneumatic Damper Actuators



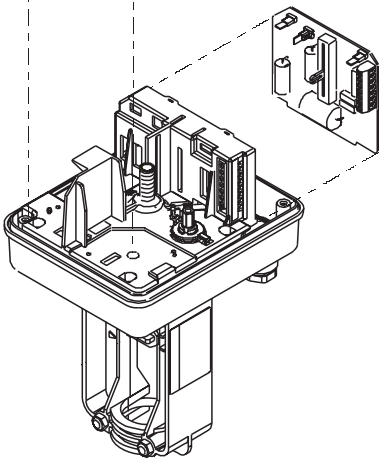
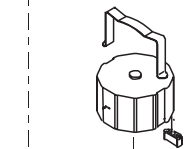
## ML6420A / ML7420A Electric Linear Actuator

### Spare Parts



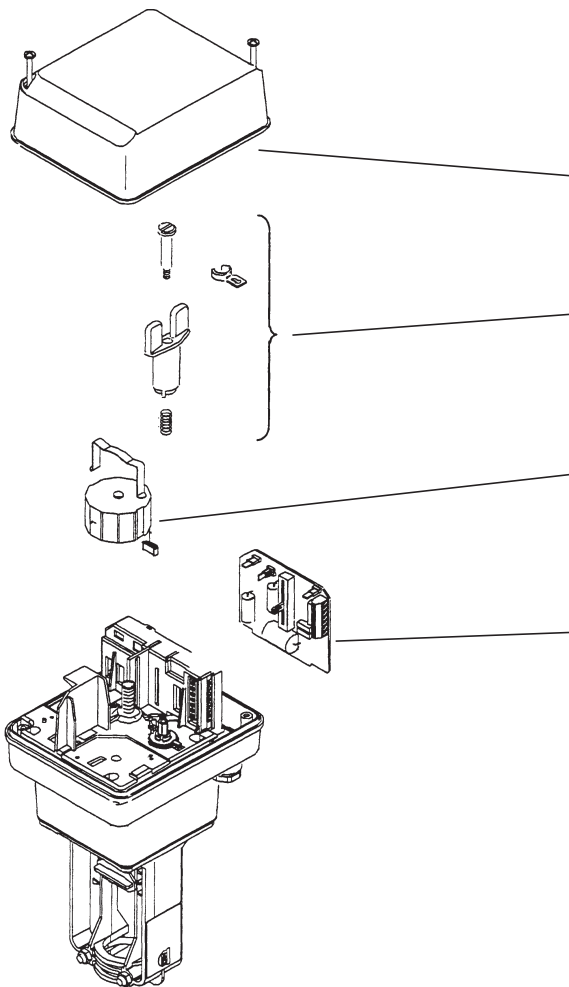
Description	Honeywell	ML 6420				ML 7420							
		A3007	A3015	A3023	A3072	A3006	A3014	A3071	A6009	A6017	A6025	A6033	A6041
Cover	Part-No.												
	43193811-001	•	•	•		•	•		•	•		•	•
	43193712-001				•			•			•		•
Motor Assy.	Part-No.												
	43193813-001		•										
	43193813-002	•				•	•		•	•		•	•
	43193813-005			•			•			•			•
Circuit-Board Assy.	Part-No.												
	43193808-004*						•						
	43193808-005*							•					

\* ⚠ Wiring needs to be changed before datecode 9901 (week 1 in 1999)



## ML6425A,B / ML7425A,B Electric Linear Actuator

### Spare Parts

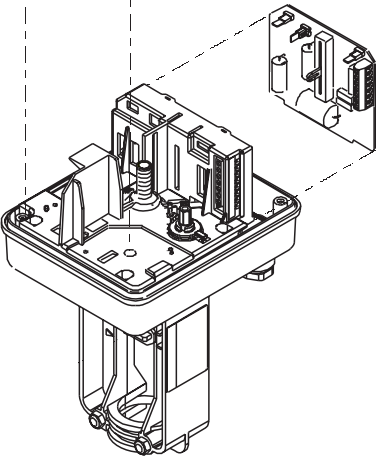
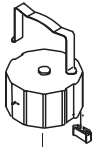
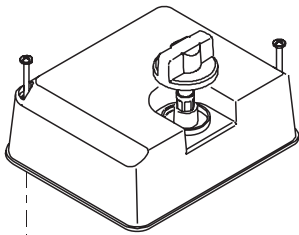


Description	Honeywell	ML6425					ML7425						
		B3021	A3006	B2015	A3014	B2023	B3005	A3005	B3004	A6008	A6016	B6007	B6015
Cover	43193812-001	•	•		•		•	•	•	•	•	•	•
Manual Operator Assy.	43193816-001	•	•	•	•	•	•	•	•	•	•	•	•
Motor Assy.	43193813-001 43193813-003	•			•	•		•	•	•	•	•	•
Circuit-Board Assy.	43193809-001 43193809-002 43193810-002*		•	•			•				•	•	

\* ⚠ Wiring needs to be changed before datecode 9901 (week 1 in 1999)

## ML6421A,B / ML7421A,B Electric Linear Actuator

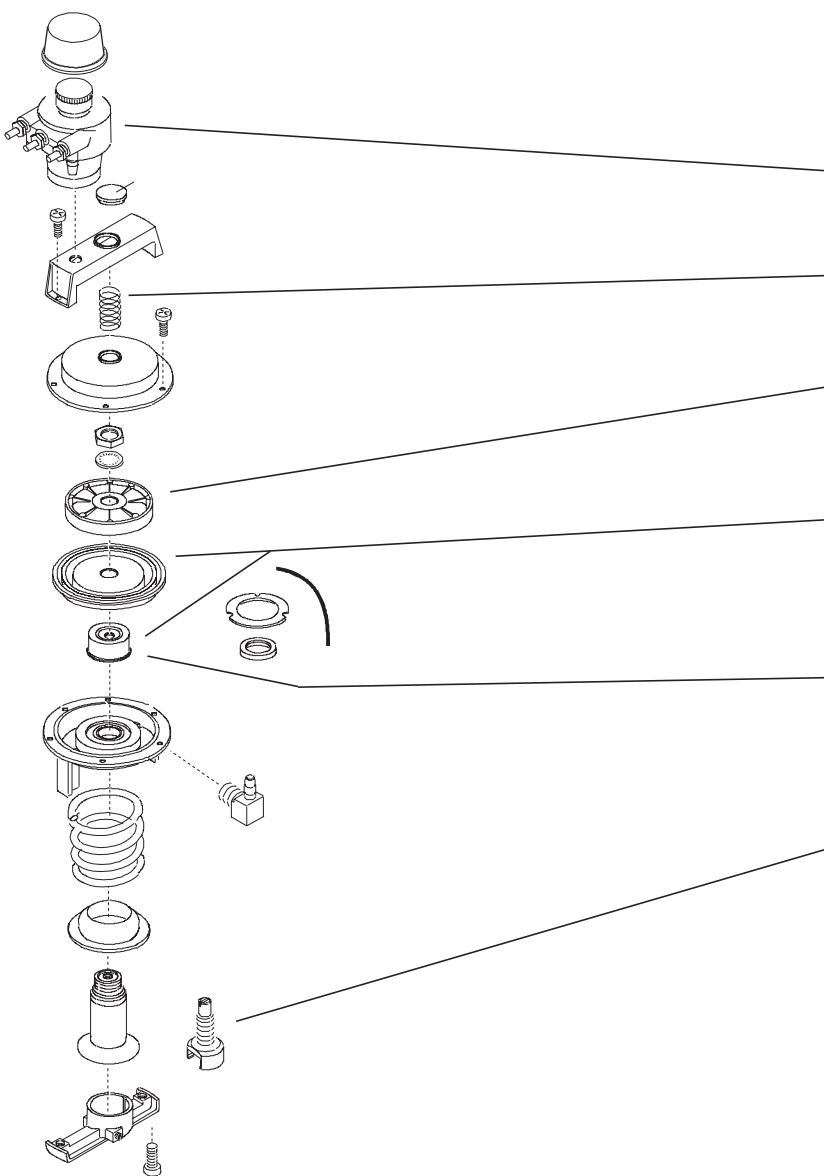
### Spare Parts



	Honeywell	ML6421			ML7421		
		A3005	A3013	B3004	B3012	A3004	B3003
Description	Part-No.						
Motor Assy.	K43196140-005	•		•		•	•
	K43196140-004		•		•		
Circuit-Board Assy.	K43196130-001	•		•			
	K43196131-001		•		•		

## MP953B,D Pneumatic Actuator

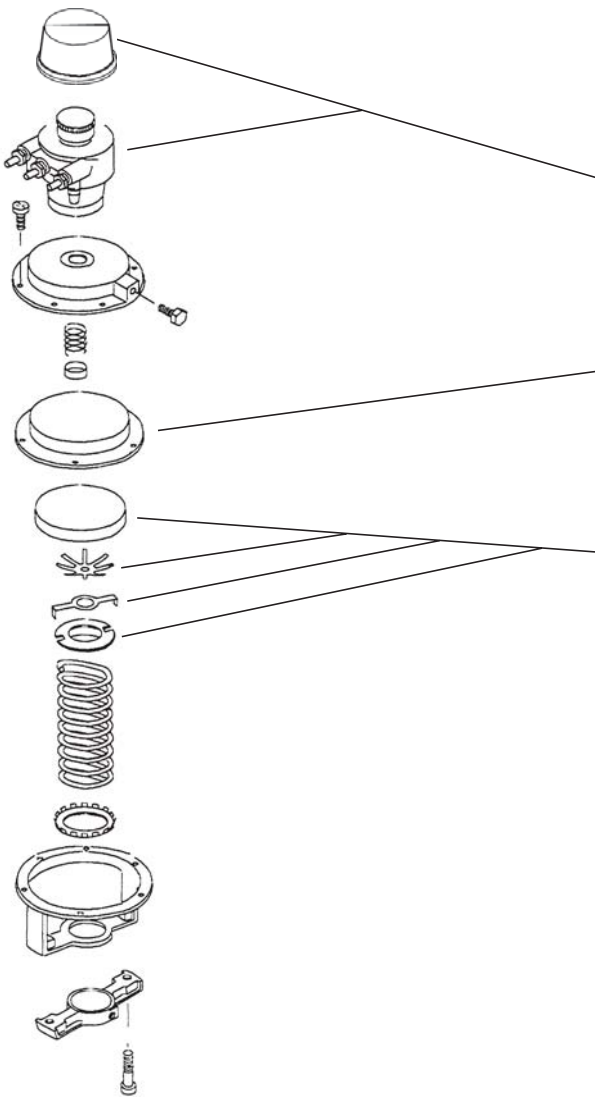
### Spare Parts



	Honeywell	MP953		
		B5003	D5009	D5025
Description	Part-No.			
Relay Assy.	K43170625-002	●		
Spring	K43313919-010 (10 pcs)	●		
Cup	S43312199-001	●	●	●
Diaphragm and Sleeve	R43180626-001	●	●	●
Sleeve	R43161322-001	●	●	●
Yoke Assy.	R43169695-001	●	●	●

## MP953A,C Pneumatic Damper Actuator

### Spare Parts

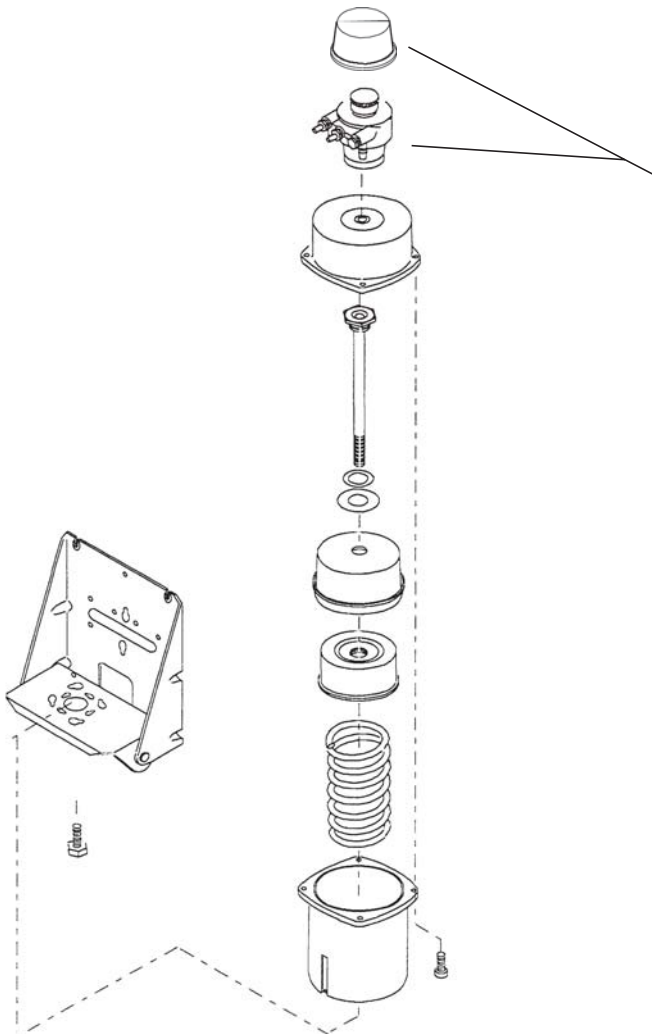


Description	Honeywell	MP953												
		A5006	A5039	A5054	C5001	C5019	C5027	C5068	C5076	C5084	C5142	C5159		
Relay Assy.	K43170625-001	•	•	•										
Diaphragm	R43312760-001 R43161319-001 R43161320-001	•			•	•	•		•	•			•	•
Cup Assy.	K43309284-001 K43311749-001 K43170643-001	•	•	•	•	•	•	•	•	•			•	•



## MP904A,B,C,D Pneumatic Damper Actuator

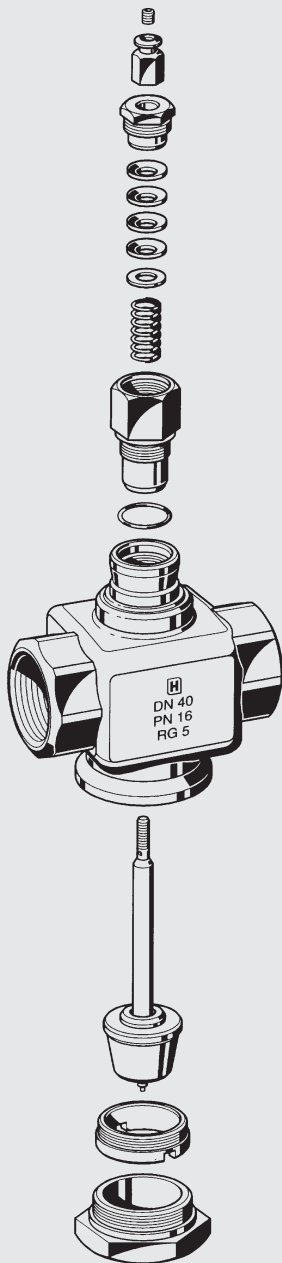
### Spare Parts



		MP904								
		Honeywell								
		A5047	B5037	B5052	C1018	C1026	D1008	D1032	D1040	D1057
Description	Part-No.									
Relay Assy.	K43170625-003	•			•	•				

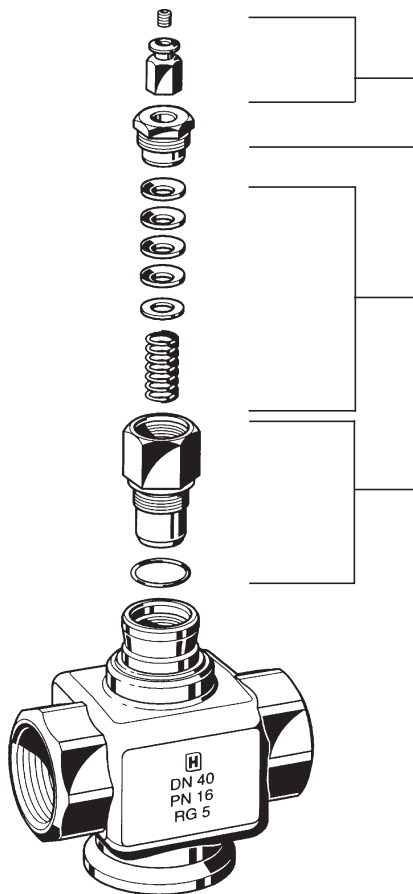
# Linear Valves

2-Way Large Linear Valves  
3-Way Large Linear Valves  
2/3-Way Small Linear Valves  
Accessories



## V5011R/S 2-Way Large Linear Valve PN 16

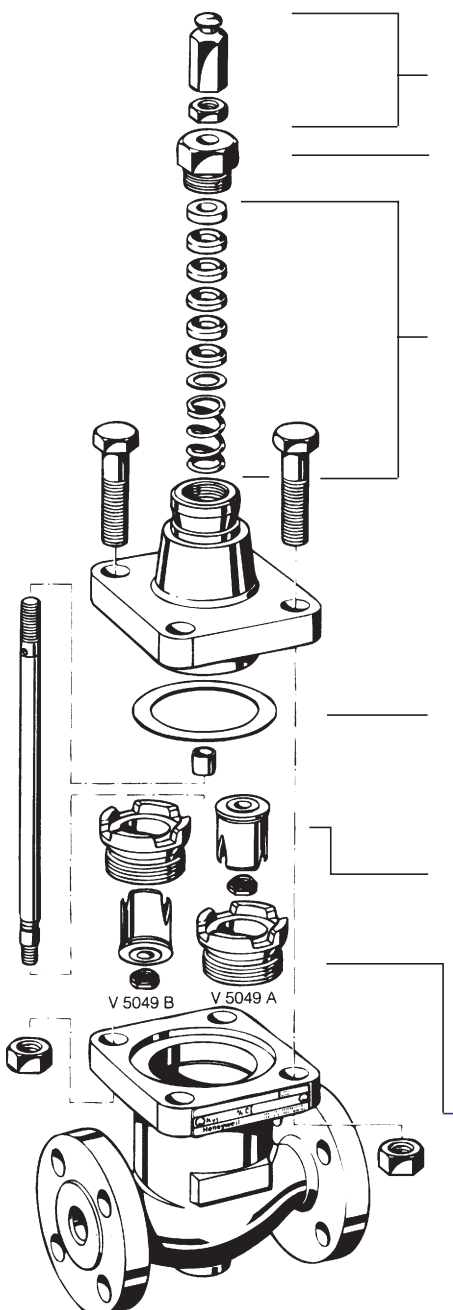
### Spare Parts



Description	Valve size	Order-Number
Stem button assy (10 units)	DN 15-50	K43175080001
Packing nut (date code $\geq$ 0103)	DN 15-50	0903835
Packing kit (date code $\leq$ 5202)	DN 15-32 DN 40 and 50	R43176754001 R43176754002
(date code $\geq$ 0103)	DN15-50	R43176754002
Packing nut (date code $\leq$ 5202)	DN 15-32 DN 40 and 50	0901788 0901789

## V5049A/B 2-Way Large Linear Valve PN 16/25/40

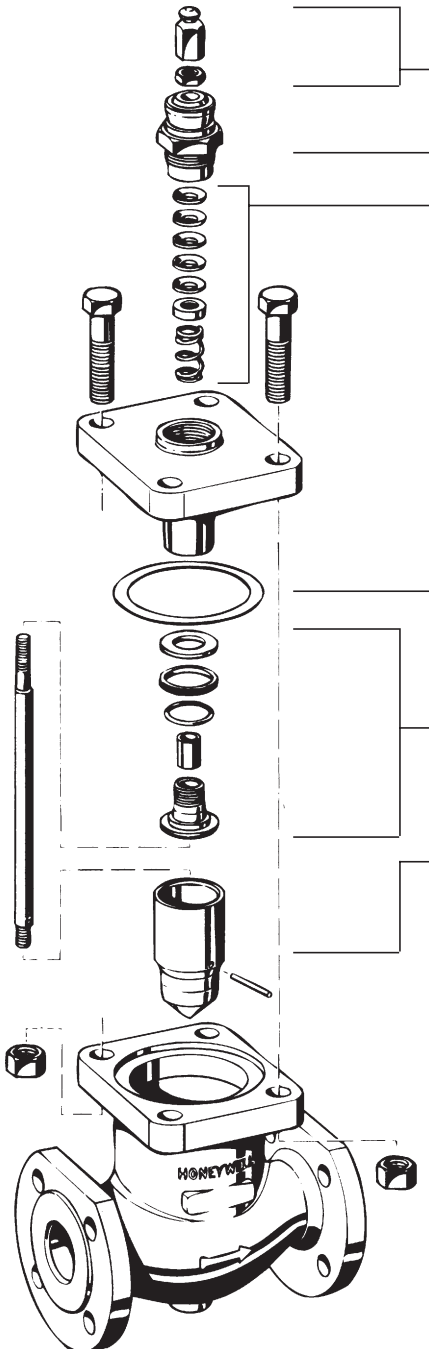
### Spare Parts



Description	Valve size	Order-Number
Stem button assy (10 units)	DN 15–65	K43175080002
	DN 80–150	K43175080005
Packing nut	DN 15–65	S43297006001
	DN 80–150	S43297992001
Packing kit	DN 15–65 (Ø 10 mm)	R43176755004
	DN 80–150 (Ø 16 mm)	R43176755005
Body gasket (10 units)	DN 40–65	K43188174002
	DN 80–100	K43188174003
	DN 125 and 150	K43188174004
Plug assembly (valve stem, plug, body gasket, rivet or locking nut)	kvs 25	K43298806001
	kvs 40	K43298817001
	kvs 63	K43298824001
	kvs 100	K43298836001
	kvs 160	K43298851001
	kvs 250	K43299007001
	kvs 360	K43299020003
Seat ring	kvs 25	S43297103001
	kvs 40	S43296983001
	kvs 63	S43297102001
	kvs 100 and 160	S43161910001
	kvs 250 and 360	S43297991001

## V5095A 2-Way Large Linear Valve PN 16

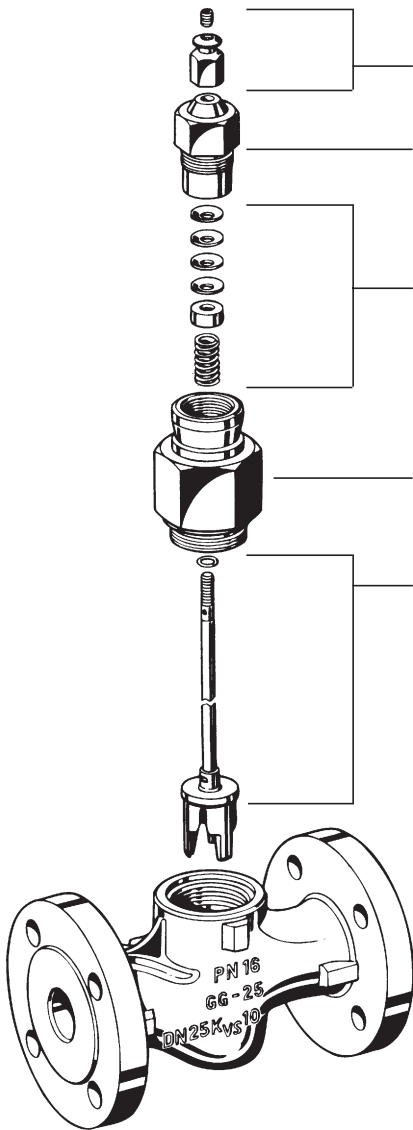
### Spare Parts



Description	Valve size	Part-Number
Stem button assy (10 units)	DN 20–80	K43175080002
Packing nut	DN 20–80	S43189771001
Packing kit	DN 20–80	R43176754005
Body gasket (10 units)	DN 20 and 32 DN 40–65 DN 80	K43188174001 K43188174002 K43188174003
Sealing set assy	DN 40 and 50 DN 65 and 80	K43189779001 K43189779002
Plug assembly (valve stem, plug, body gasket)	kvs 0.25 kvs 0.40 kvs 0.63 kvs 1.0 kvs 1.6 kvs 2.5 kvs 4.0 kvs 6.3 kvs 10 kvs 16 kvs 25 kvs 40 kvs 63	K43189777001 K43189777002 K43189777003 K43189777004 K43189777005 K43189777006 K43189777007 K43189777008 K43189777009 K43189777010 K43189777011 K43189777014 K43189777015

## V5328A 2-Way Large Linear Valve PN 16

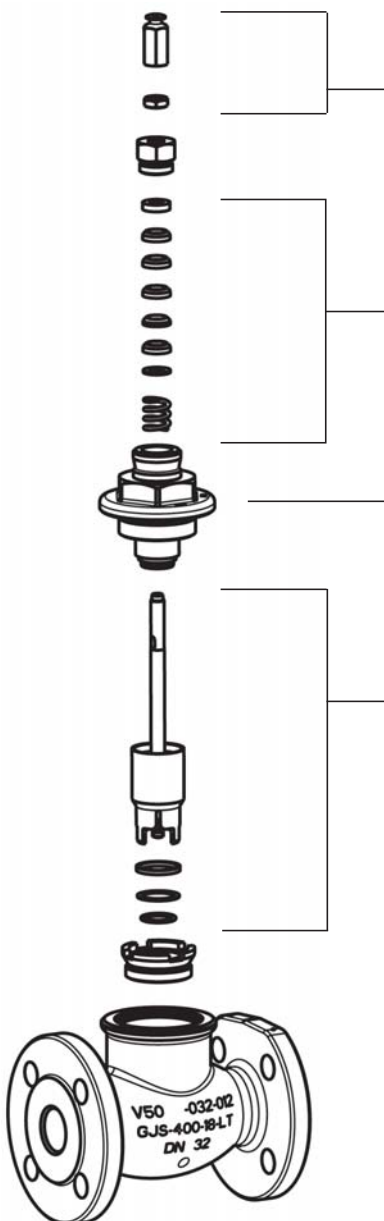
### Spare Parts



Description	Valve size	Order-Number
Stem button assy (10 units)	DN 15-32	K43175080001
	DN 40-80	K43175080002
Packing nut	DN 15-32	S310509D
	DN 40-80	S298562
Packing kit	DN 15-32 (Ø 6.35 mm)	R43176754001
	DN 40-80 (Ø 10 mm)	R43176754002
Bonnet		
Plug assembly (valve stem, plug and O-ring)	kvs 25	K43194032012
	kvs 40	K43194032013
	kvs 63	K43194032014
	kvs 100	K43194032015
	kvs 160	K43194032016
	kvs 250	K43194032017
	kvs 360	K43194032018

## V5016A / V5025A 2-Way Large Linear Valve PN 16/25

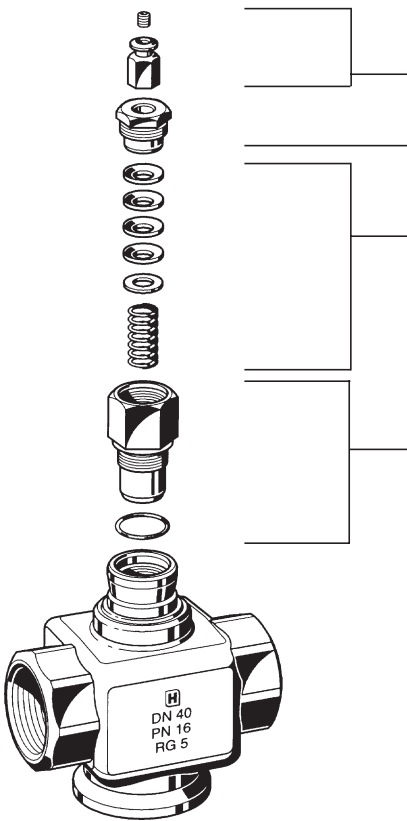
### Spare Parts



Description	Valve size	Order-Number
Stem button assy (10 units)	DN 15–150	K43175080002
Packing kit	DN 15–80 (Ø 10 mm)	R43176755004
	DN 100–150 (Ø 16 mm)	R43176755005
Body gasket set (10 units DN 40–50) (5 units DN 65–150)	DN 40	0903836
	DN 50	0903846
	DN 65	0903847
	DN 80–100	0903848
	DN 125–150	0903849
Plug assembly (valve stem, plug, sealing)	kvs 25	0903837
	kvs 40	0903838
	kvs 63	0903839
	kvs 100	0903840
	kvs 160	0903841
	kvs 250	0903842
	kvs 360	0903843

## V5013R/E 3-Way Large Linear Valve PN 16

### Spare Parts

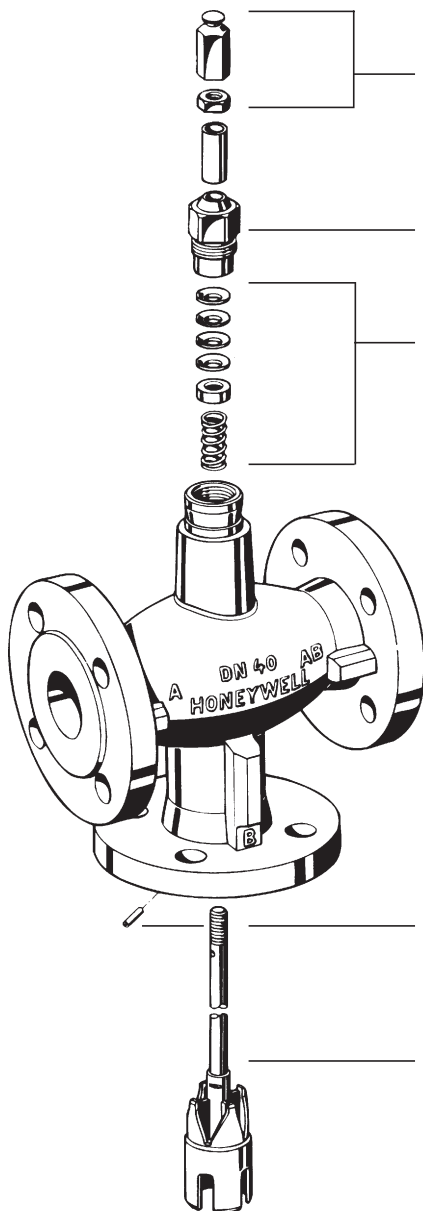


Description	Valve size	Order-Number
Stern button assy (10 units)	DN 15–50	K43175080001
Packing nut (date code $\geq$ 0103)	DN 15–50	0903835
Packing kit (date code $\leq$ 5202)	DN 15-32	R43176754001
(date code $\geq$ 0103)	DN 40 and 50	R43176754002
	DN 15–50	R43176754002
Packing nut (date code $\leq$ 5202)	DN 15–32	0901788
	DN 40 and 50	0901789



## V5015A, V5329A/C 3-Way Large Linear Valve PN 16/6

### Spare Parts



Description	Valve size	Order-Number
Stem button assy (10 units)	DN 15-32	K43175080001
	DN 40-80	K43175080002
	DN 100-150	K43175080006
Packing nut	DN 15-32	S310509D
	DN 40-80	S298562
	DN 100-150	S297827
Packing kit	DN 15-32 (Ø 6.35 mm)	R43176754001
	DN 40-80 (Ø 10 mm)	R43176754002
	DN 100-150 (Ø 12 mm)	R43176754005
Pin stop plug		
Plug assembly (valve stem and plug; DN 100-150 also O-ring and rivet)	kvs 25	K43176799015
	kvs 40	K43176799016
	kvs 63	K43176799017
	kvs 100	K43176799018
	kvs 140	K43297819002
	kvs 220	K43297822002
	kvs 310	K43297825002

## V5050A/B 3-Way Large Linear Valve PN 16/25/40

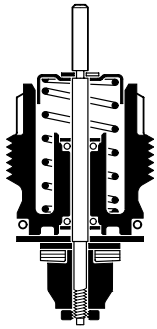
### Spare Parts

Description	Valve size	Order-Number
Stem button assy (10 units)	DN 15–80	K43175080002
	DN 100–150	K43175080005
Packing nut	DN 15–80	S43297006001
	DN 100–150	S43297992001
Packing kit	DN 15–80 (Ø 10 mm)	R43176755004
	DN 100–150 (Ø16 mm)	R43176755005
Screws (4 pcs)		
Bonnet		
Body gasket (10 units)	DN 15–32	K43188174001
	DN 40–65	K43188174002
	DN 80–100	K43188174003
	DN 125–150	K43188174004
Seat ring	DN 40	S43297103001
	DN 50	S43296983001
	DN 65	S43297102001
	DN 80–100	S43297789001
	DN 125–150	S43297991001
Plug assembly (valve stem, locking nut, body gasket and two plugs)	kvs 25	K43298808001
	kvs 40	K43298819001
	kvs 63	K43298826001
	kvs 100	K298838
	kvs 160	K298853
	kvs 250	K299009
Seat ring	kvs 360	K43299020002
	DN 40	S43298804001
	DN 50	S43298815001
	DN 65	S43298822001
	DN 80–100	S43298834001
DN 125–150	S43299004001	

## V58...2A, V58...3A/C

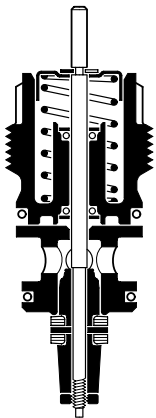
2/3-Way Small Linear Valves  
DN 15/20 PN 16

Spare Parts



**V5812/22/32/52/62A**  
2-way valve inserts

kvs value	DN	Order-Number
0.16	15	0902812
0.25	15	0902811
0.40	15	0902810
0.63	15	0902809
1.0	15	0902808
1.6	15	0902807
1.6	15	0902813*
2.5	20	0902814
4.0	20	0902815
2.5	20	0902816*



**V5813/23/33/53/63A/C**  
3-way valve inserts

kvs value	DN	Order-Number
0.25	15	0902821
0.40	15	0902822
0.63	15	0902823
1.0	15	0902824
1.6	15	0902825
1.6	15	0902817*
2.5	20	0902818
2.5	20	0902826* <sup>2</sup>
4.0	20	0902819
4.0	20	0902827* <sup>2</sup>
2.5	20	0902820*

\*on-off version

\*<sup>2</sup>for 180N actuators only

The following valve inserts are interchangeable

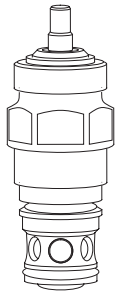
- **Two-way-valves:** kvs 0.16; 0.25; 0.40 and 0.63  
kvs 1.0 and 1.6  
kvs 2.5 and 4.0
- **Three-way-valves:** kvs 0.25; 0.40; 0.63 and 1.0  
kvs 2.5 and 4.0

## V5825B

2-Way Small Linear Valve

PN 25

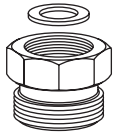
Spare Parts



Description	Valve size	Order-Number
Valve insert	kvs 0.25	0903809
	kvs 0.40	0903810
	kvs 0.63	0903811
	kvs 1.0	0903812
	kvs 1.6	0903813
	kvs 2.5	0903814
	kvs 4.0	0903815
	kvs 6.3	0903816
	kvs 10	0903817

## V5872B 2-Way Small Linear Valve PN 16

### Spare Parts



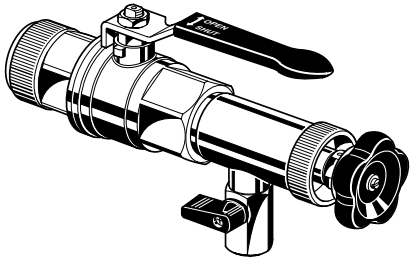
Description	Valve size	Order-Number
Valve adapter kit	kvs 0.25	AK15-15
	kvs 0.40	AK15-15
	kvs 0.63	AK15-15
	kvs 1.0	AK15-15
	kvs 1.6	AK15-15
	kvs 2.5	AK20-15
	kvs 4.0	AK20-25
	kvs 6.3	AK25-25
	kvs 10	n.a.

The V5872B will be replaced with V5825B. To adapt to same installation dimensions please use described valve adapter kit.  
For reference and replacement valve see below list:

Replaced valve	Replacement	Valve size	Order-Number
V5872B1003	V5825B1001	kvs 0.25	AK15-15
V5872B1011	V5825B1019	kvs 0.40	AK15-15
V5872B1029	V5825B1027	kvs 0.63	AK15-15
V5872B1037	V5825B1035	kvs 1.0	AK15-15
V5872B1045	V5825B1043	kvs 1.6	AK15-15
V5872B1052	V5825B1050	kvs 2.5	AK20-15
V5872B1060	V5825B1068	kvs 4.0	AK20-25
V5872B1078	V5825B1076	kvs 6.3	AK25-25
V5872B1086	V5825B1084	kvs 10	n.a.

## Accessories

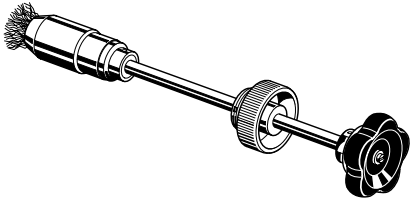
### Spare Parts



Description	Order-Number
-------------	--------------

Insert replacement tool

WV108M

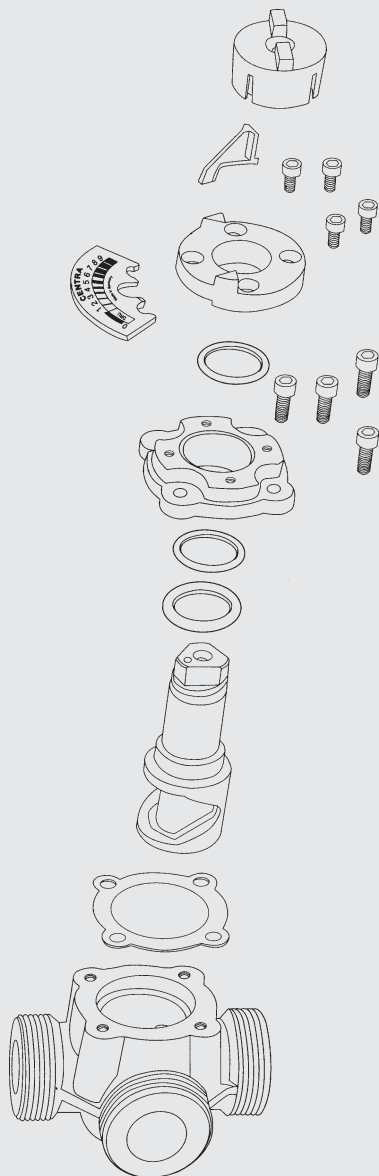


Valve seat brush

WV108B

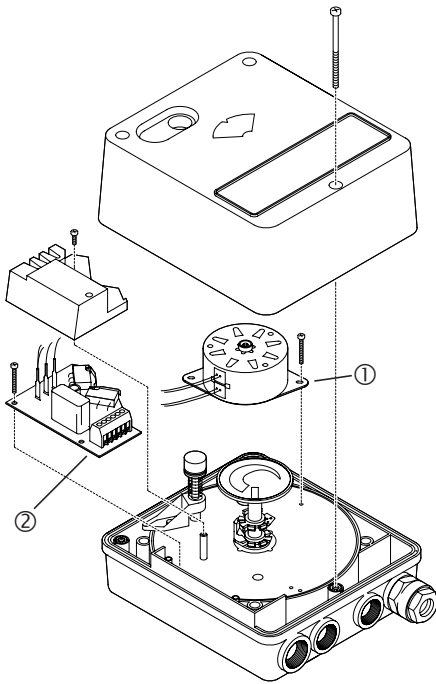
## Rotary Valves & Actuators

Electric Rotary Actuators  
Rotary Valves



## M6061A,L Electric Rotary Actuator

### Spare Parts

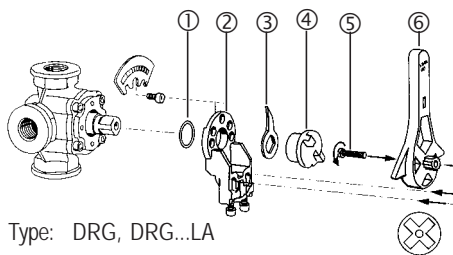


Description	Part-No.*	M6061							
		A1013	A1021	A1039	A1047	L1019	L1027	L1035	L1043
① Synchronous motor 230 V for M6061L	030000345 030000430					•	•	•	
Synchronous motor 24 V for M6061A	030000432 030000531	•	•	•	•				
② PCB 230 V for M6061L	030000346					•	•	•	•
PCB 24 V for M6061A	030000433 030000498	•	•	•	•				

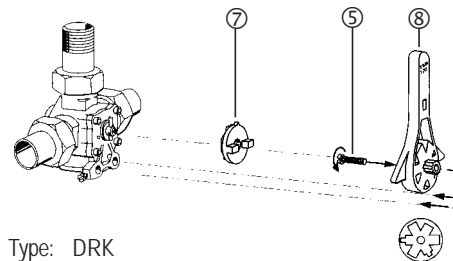


## DR , DRK / ZR, ZRK Rotary Valve Linkage

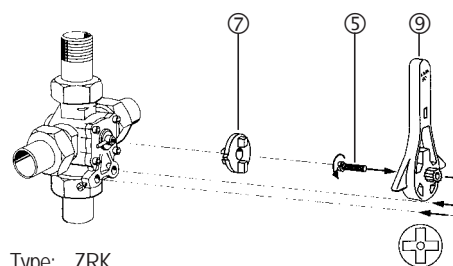
### Spare Parts



Type: DRG, DRG...LA  
DR, DR...A  
DR, ZR...A



Type: DRK

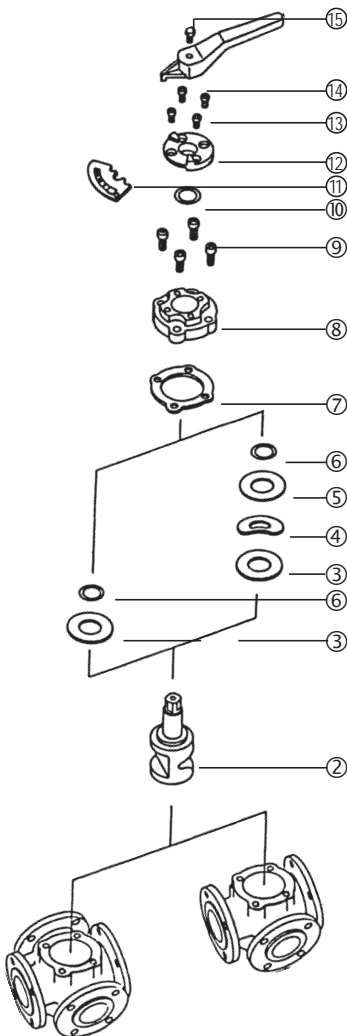


Type: ZRK

Description	Part-No.*	
Pointer for valves up to DN 65	030000175	③
Pointer for valves bigger than DN 80	030000130	③
<b>Mounting set for Universal 3 or 4 way mixing valves DR, ZR:</b>		
M6061 Mounting Set	ATK2040A	① ② ③ ④ ⑤ ⑥
Mounting plate	030000302	②
Handle	030000518	⑥
Coupling	030000526	④
<b>Mounting set for compact 3-way mixing valves DRK:</b>		
M6061 Mounting set	030000406	⑤ ⑦ ⑧
Handle	030000516	⑧
Coupling	030000525	⑦
<b>Mounting set for 4-way compact mixing valves ZRK:</b>		
M6061 Mounting set	030000407	⑤ ⑦ ⑨
Handle	030000517	⑨
Coupling	030000525	⑦

## DR / ZR 3/4-Way Rotary Valves PN 10

Spare Parts  
(from Datecode 1988)



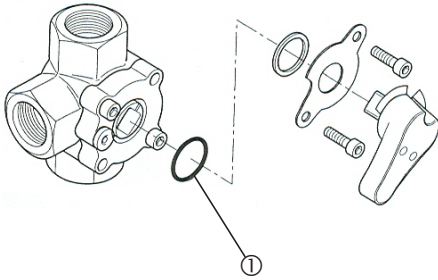
Description	Part-No.*	
<b>Complete sealing package</b> including lock and pressure washers		
DN 15-40	019001030	③ ④ ⑤ ⑥ ⑦ ⑩
DN 50-65	019001040	
DN 80-100	019001050	
DN 125-200	019001060	③ ④ ⑤ ⑥ ⑦ ⑩
<b>O-ring-seal</b> complete with screws	030000114	⑫
<b>O-ring</b> for O-ring-sealing (ca. 25/32 mm)	071099535	⑩
<b>Valve sealing</b> (complete with O-ring seal, O-ring and screws)		③ ④ ⑤ ⑥ ⑦ ⑧ ⑨ ⑩ ⑫ ⑬
DN 15-25	030000105	
DN 32-40	030000106	
DN 50-65	030000107	
DN 80-100	030000108	
DN 125-200/I	030000392	
<b>Plug ZR</b>		②
DN 15	030000110	
DN 20	030000110	
DN 25	030000111	
DN 32	030000112	
DN 40	030000113	
DN 50	030000162	
DN 65	030000164	
DN 80	030000165	
DN 100	030000168	
DN 125/I	030000388	
DN 150/I	030000390	
DN 200/I	030000391	
<b>Plug DR...G</b>		②
DN 15 (DR15-2 GMLA)	030000404	
DN 15 (DR15-4 GMLA)	030000099	
DN 20	030000099	
DN 25	030000121	
DN 32/40	030000100	
DN 50	030000101	
DN 65	030000102	
DN 80	030000103	
DN 100	030000104	
DN 125/I	030000387	
DN 150/I	030000389	
DN 200/I	030000496	
<b>Handle kit</b> (complete with screw)		⑭ ⑮
DN 15-65	030000115	
DN 80-200	030000098	
<b>Scale</b>		⑪
ZR 15-65	030000118	
ZR 80-200	030000120	
DR 15-65	030000117	
DR 80-125	030000123	
DRG - L-R 15-65	030000116	

## V5433A,G / V5442A,G

### 3-Way Compact Rotary Valve

#### PN 10

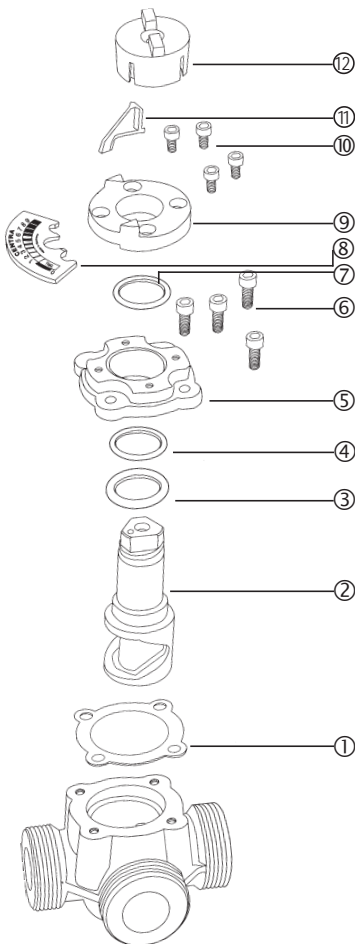
Spare Parts



Description	Part-No.*	
Seal assembly for V5433A,G DN20...32 V5442A,G DN20...32	071161036	①
Seal assembly for V5433A,G DN40...50 V5442A,G DN40...50	071161037	①

## DRU / HE 3-Way Rotary Valve PN 10

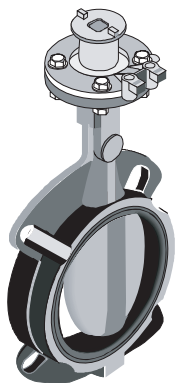
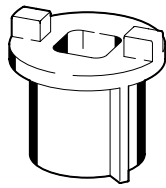
### Spare Parts



<b>Plug</b>			②
DRU 25 - 2.5	030000434		
DRU 25 - 4.0	030000435		
DRU 25 -6.3	030000436		
DRU 25 - 10	030000437		
DRU 25 - 16	030000438		
DRU 32 - 10	030000439		
DRU 32 - 16	030000440		
DRU 32 - 25	030000441		
Internal threaded socket with gaskets and cap nut, DRU25, HE25	STU25		
Internal threaded socket with gaskets and cap nut, DRU32, HE32	STU32		
Isolation for DRU 25	030000449		
Isolation for DRU 32	030000448		
Welding socket with gaskets and cap nut, DN 25	WTU25		
Welding socket with gaskets and cap nut, DN 32	WTU32		
Soldering socket with gaskets and cap nut, DN 25	LSU25-18		
Soldering socket with gaskets and cap nut, DN 25	LSU25-22		
Soldering socket with gaskets and cap nut, DN 25	LSU25-28		
Soldering socket with gaskets and cap nut, DN 32	LSU32-22		
Soldering socket with gaskets and cap nut, DN 32	LSU32-28		
<b>Scaling package</b>			① ③ ④ ⑤ ⑥ ⑦ ⑨ ⑩
O-ring seal with O-ring and screws			
DRU 25	030000105		
DRU 32	030000106		
<b>Handle</b>	DRU (V5434T)	030000447	
<b>Scala</b>	DRU 25 / 32	030000442	⑧
<b>Pointer</b>	DRU 25 / 32	030000443	⑪
<b>Sealing package</b>	019001030		① ③ ④ ⑦ ⑨
<b>O-ring seal</b> with screws	030000114		⑨ ⑩
<b>O-ring</b> for ring seal	071099535		④
<b>DRU package</b>	030000522		⑧ ⑪ ⑫

## V5421B Butterfly Valves

### Spare Parts



Description	Part-No.	V5421B									
		1009	1017	1025	1033	1041	1058	1066	1074	1082	1090
Coupling to install M6061/VMM M7061/VRM on V5421B black coloured	VCU40 VCU100	•	•	•		•	•	•	•		
Coupling to install M6061 on V5421B black coloured	VCU150 VCU200								•	•	•
Universal console for V5421B black coloured	VCO1	•	•	•	•	•	•	•	•	•	•
1x coupling for V5421B (DN25-100) black coloured 1x coupling for V5421B (DN125-150) blue coloured	VCU-SET	•	•	•	•	•	•	•	•	•	•
Universal console for V5421B blue coloured	VCO2	•	•	•	•	•	•	•	•	•	

## V5422L Butterfly Valves

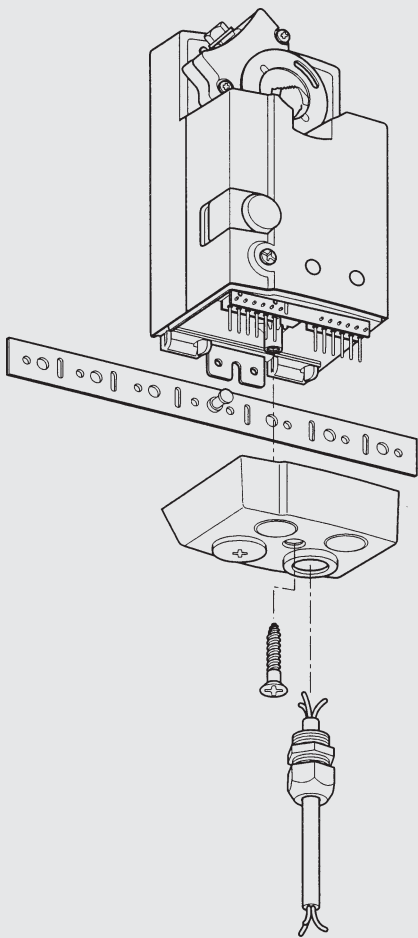
### Spare Parts



Description	Part-No.	V5422L			
		1006	1014	1022	1030
Motor for V5422L	M6422L1005	•	•		
	M6422L1013			•	
	M6422L1021				•

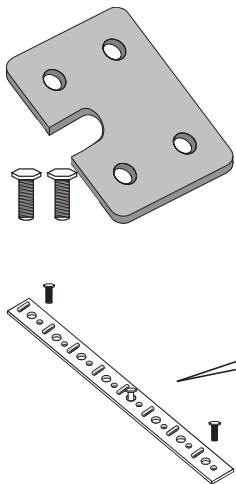
---

# Direct Coupled Actuators



## Damper Actuators

### Spare Parts



Description	Part-No.	Non-Spring Return		Spring Return	
		N 20 xxx	N 34 xxx	N 03 xxx	N 05 xxx
Spare Parts Kit	A7209.2071	•	•		
SM Mounting Kit	A7209.2072	•	•		
Anti-rotation Kit	A7209.2073	•	•		
Anti-Rotation-Bracket	A7209.2080			•	•
Water tight Cable Gland / Strain-relief Fitting	A7209.2081			•	•

Spare Parts Kit contains:

- Anti-rotation brackets and 2 screws
- SM Mounting plate and 2 screws
- Wiring box screw
- Plastic protective cap for protection standard IP54
- Mechanical end limit screw and retainer

SM Mounting Kit contains:

- 10 SM mounting plates
- 20 screws

Anti-rotation Kit contains:

- 10 anti-rotation brackets
- 20 screws

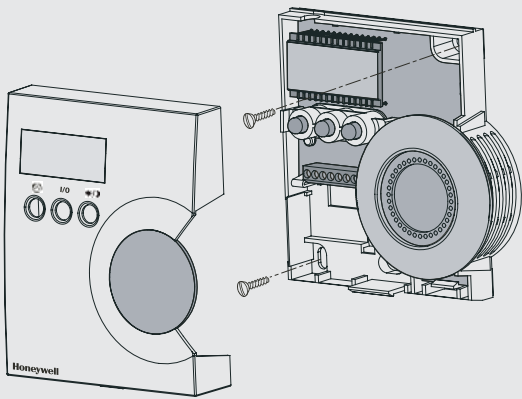
Anti-rotation bracket contains:

- 1 anti-rotation bracket

Water tight Cable Gland / Strain-relief Fitting contains:

- 10 pack

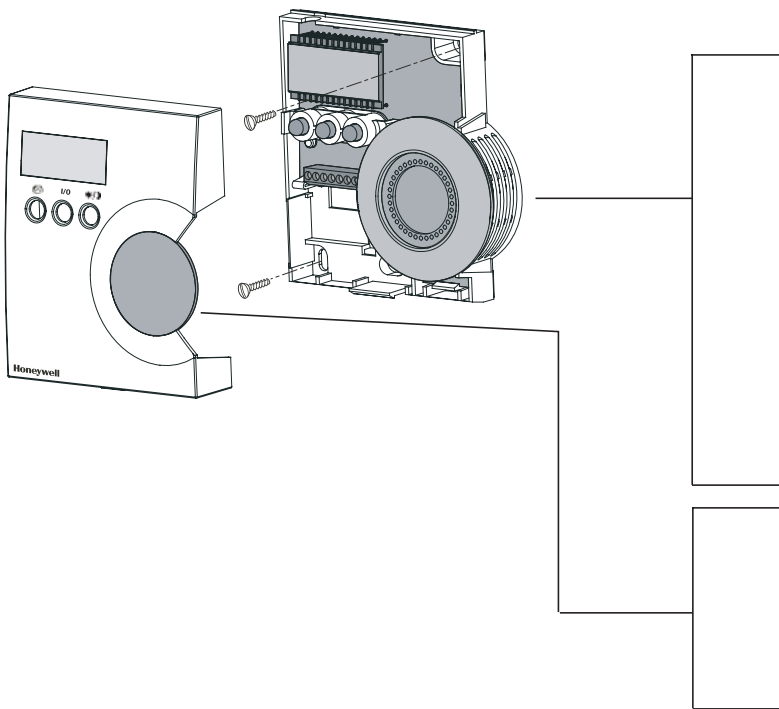
# Wall Modules





## Sets for T7460/T7560/T7270

### Spare Parts



Description	Part-No.			
		T7460	T7560	T7270
Round knob, blue	WMSPS-3	●	●	
Round knob, white	WMSPS-4	●	●	
Setpoint wheel, unprinted, blue	WMSPS-5		●	
Setpoint wheel, unprinted, white	WMSPS-6		●	
Setpoint wheel, printed, blue	WMSPS-7			●
Setpoint wheel, printed with +/-5K scale, blue T7460B to F	WMSPS-8	●		
Blind cover over setpoint wheel, blue	WMSPS-1	●	●	
Blind cover over setpoint wheel, white	WMSPS-2	●	●	
Setpoint pack	WMSPS-9		●	
Fanspeed knob T7460D,E,F	WMSPS-10	●		
Occupancy pushbutton T7460C,E,F	WMSPS-11	●		

**Automation & Control Solutions**

Honeywell GmbH  
Böblinger Strasse 17  
71101 Schönaich  
Phone (49) 7031 637 01  
Fax (49) 7031 637 493  
[www.honeywell.com](http://www.honeywell.com)

EN3B-0298GE51 R1209  
January 2010  
© 2010 Honeywell International Inc.

**Honeywell**